



Eat better.
Live better.



AMC Navigenio

User Manual



10043676

The Premium
Cooking system

www.amc.info

Read this user manual carefully before you use the Navigenio. Preserve the user manual and pass it on to the next owner.

Meaning of the symbols



Important instructions for safety.

Non-compliance can lead to injuries or damages.



Valuable information for users.



Poor operating conditions or improper usage.



Tips for environment protection, ecology and economy.





Good operating conditions or right usage.

Working steps are highlighted in blue.

Validity

This user manual is applicable for the model Navigenio, type C8100. The type label is engraved below one of the handles.

1. Usage and safety in accordance with regulations	4	3. Handling	10
Suitable pots	4	3.1 Usage as mini baking oven	10
Avoiding damages, avoiding improper usage	4	3.2 Usage as mini baking oven (overhead function) for gratinating and baking	11
 Possible dangers through electricity	5	Usage for gratinating	11
 Possible dangers through heat, danger of fire	6	Usage for baking	12
Monitoring	6		
Maintenance and care	7	4. Magnet holder assembly	12
Disposal	7		
		5. Maintenance and care	13
2. Your Navigenio			
2.1 Construct	8	6. Technical data	13
2.2 Function and application	9		
Usage as mobile hotplate	9	7. What to do, when...	14
Usage as mini baking oven (overhead function) for gratinating and baking	9		
		8. AMC customer service	14

1. Usage and safety in accordance with regulations

The Navigenio serves as mobile hotplate and as mini baking oven. It should be used only for this purpose. The Navigenio is designed exclusively for use in the household and not for use in the commercial field.

Improper usage could lead to danger. Please observe and follow the user manual – particularly the information in this chapter.

Suitable pots

For usage as **mobile hotplate**:

- AMC pots 16, 20 and 24 cm up to max. 6.5 l, besides pans 28 cm
- Wok 36 cm, Oval Griddle and Oval Grill 38 cm
- Arondo 28 cm, Eurasia 24 and 28 cm

For usage as **mini baking oven (overhead function)**:

- AMC pots 20 and 24 cm

Avoiding damages, avoiding improper usage



To avoid overheating ...

- with the Navigenio in hotplate function, do not heat an empty pot longer than 10 minutes.
- do not operate the Navigenio as mini baking oven (overhead function) on an empty pot.
- For usage as mini baking oven (overhead function) with pot on the stove, to avoid overheating, switch it on only at low level.

To avoid damages ...

- do not use Navigenio as mini baking oven (overhead function) over an open gas stove.
- do not use the glass-ceramic cooking zone as space for cutting. Do not use pointed objects on the glass-ceramic cooking zone and avoid single point concentrated loads.

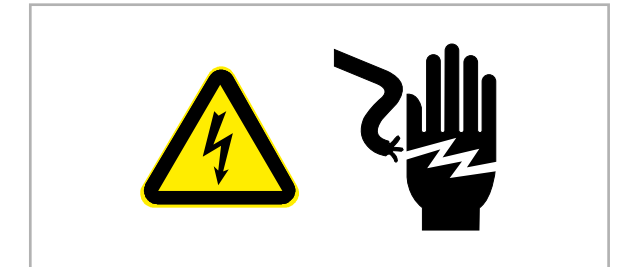
To avoid improper usage ...

- use the Navigenio with a coaster. This is especially important on heat-sensitive surfaces (e.g. plastic, antique tables).
- never use wobbly bases like for e.g. an inverted lid.
- do not transport pots on the Navigenio.
- never prepare food directly or in packed form (plastic containers or bowls of aluminium foil) on the glass-ceramic cooking zone.
- do not use the combi-bowls and the serving bowls for gratinating with the Navigenio.
- with the overhead-application, leave enough space between Navigenio and the food. As a rule, the volume filled in the pot should not exceed 2/3.
- before cooking begins, always ensure that the base of the pot and the glass-ceramic cooking zone are clean and dry.
- always clean the Navigenio properly. Tampering of the Navigenio is to be avoided.
- do not use the Navigenio to heat a room as the durability of the radiator might be reduced considerably by it.



Possible dangers through electricity

The appliance is operated electrically. Avoid danger of electrocution:



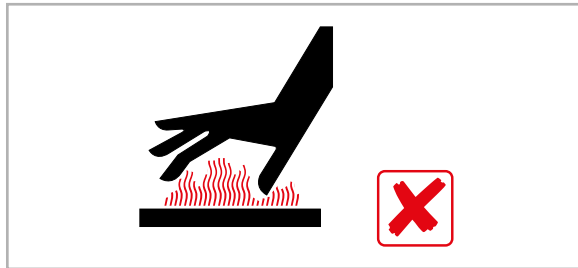
- Connect only to a power supply with voltage mentioned in the model-label.
- Use only the original connection cable. Extension cable must be of the same type.
- The power cord should not under any circumstances, come in contact with the hot stove or cooking utensil.
- In case the glass-ceramic cooking zone is damaged or breaks, pull out the power plug immediately.

- A damaged appliance is not to be operated again. Contact an AMC service centre.
- Replace a damaged power cord immediately.
- Repairs are to be carried out solely by trained personnel of an authorised AMC service centre.



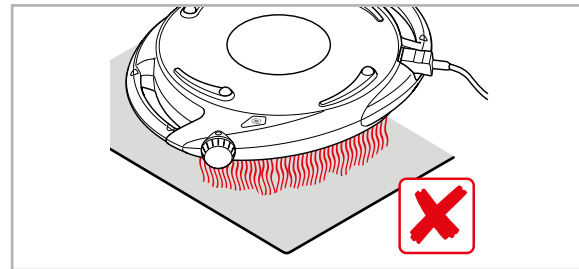
Possible dangers through heat, danger of fire

The Navigenio and the pot used would become hot on cooking. Danger of burning, fire.



- Hold only the handles of the Navigenio.
- Use a suitable hand-protector, if required.
- Cover food particles that have caught fire and are in flames (e.g. fat) only with

- a cloth – never extinguish with water.
- After using the Navigenio as mini baking oven (overhead function), do not place it with the hot cooking zone facing



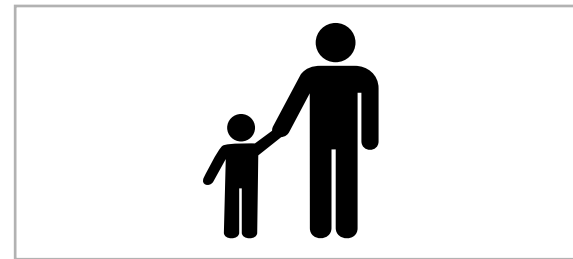
- downwards.
- When using the Navigenio as mini baking oven (overhead function) always set the pot on a heat-resistant base, like for e.g. the stove.
- Never set the Navigenio on a hot stove. The appliance will be damaged.



Monitoring

- The cooking process must be monitored. If the Audiotherm is used for audible monitoring of the cooking process, you must be within hearing distance.
- Unsupervised, uncontrolled cooking can lead to overheating. The dishes can be ruined, the pot can be damaged or

- destroyed. Danger of accident and fire.
- The appliance can be used by children of 8 years or more or by people with reduced physical, sensory or mental abilities or a lack of experience or knowledge, if they are monitored or instructed regarding the safe usage of the appliance and understand the

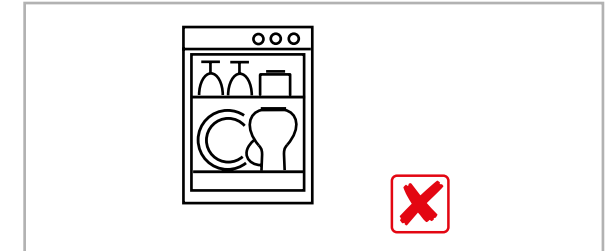


- dangers that result from it.
- Children may not play with the appliance. Children younger than 8 years are to be kept away from the appliance and power cord.

Maintenance and care

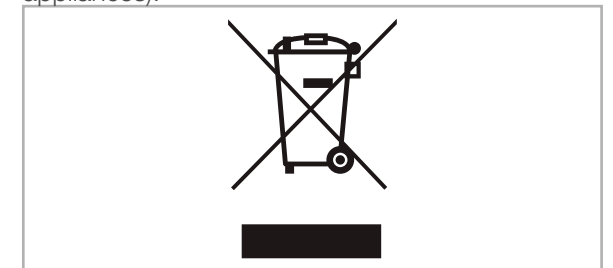
- Maintain and care for the Navigenio regularly so that function and safety are guaranteed.
- Clean the Navigenio before the first use with a clean, moist towel and a mild detergent. Then dry with a clean, soft towel. Remove the adhesive foils of the AMC logo and rotary knob.

- Clean after every use.
- Before each cleaning, pull out the power cord from the socket.
- Let the Navigenio cool down before cleaning and storing.
- Never dip the Navigenio in water or put in dishwasher.



Disposal

The Navigenio does not belong in the household garbage, the material is reusable. When necessary, dispose in an environmentally appropriate manner and in accordance with local regulations (dispose at a collection point for recycling of electronic appliances).

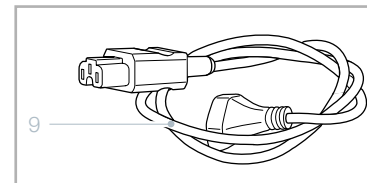
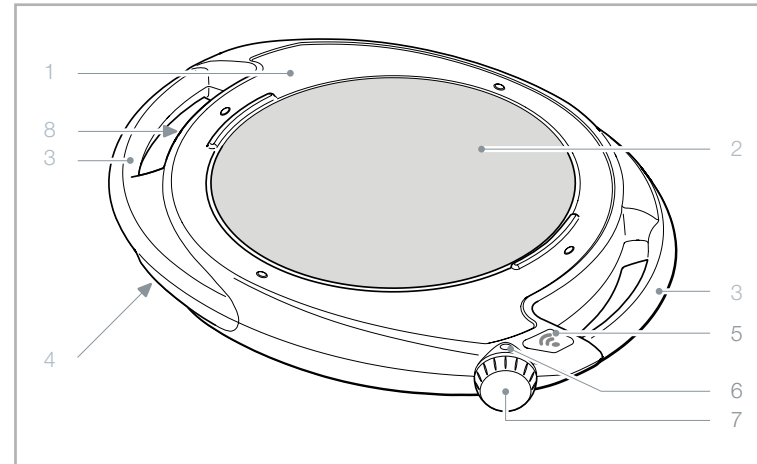


2. Your Navigenio

2.1 Construct

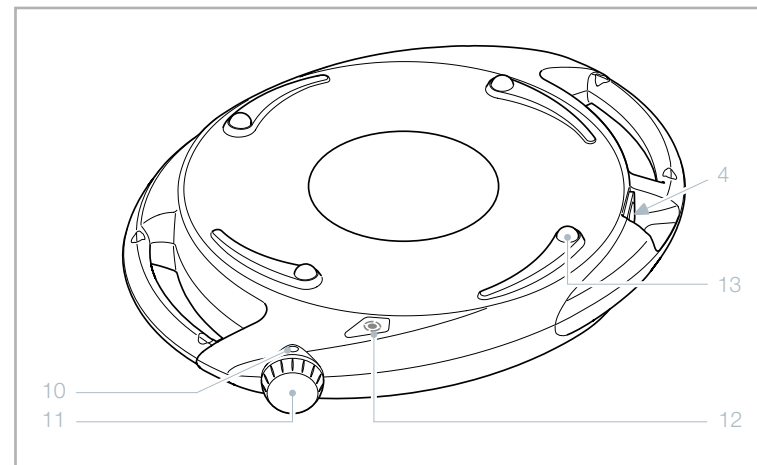
Hotplate (view from above)

- 1 Navigenio
- 2 Glass-ceramic cooking zone
- 3 Handle
- 4 Connector plug for power cord
- 5 Power indicator/radio indicator
- 6 Level indicator
- 7 Rotary knob (6 levels, A)
- 8 Type label (engraved)
- 9 Power cord






Overhead function (view from below)





- 10 Level indicator
- 11 Rotary knob (levels high and low for overhead function)
- 12 Power indicator/radio indicator
- 13 Rubber feet



Power indicator/radio indicator (5)

	glows red	Navigenio is switched on
	flashes blue	Navigenio has radio contact with the Audiotherm* and will be controlled by it
	flashes red	Residual heat indicator, as long as the Navigenio is hot

Power indicator/radio indicator in overhead function (12)

	alternately flashes blue /red	Navigenio has been switched on, radio contact with the Audiotherm* can be made
	glows red	Navigenio is switched on in normal mode
	flashes blue	Navigenio is switched on in automatic mode in connection with Audiotherm*
	flashes red	Residual heat indicator, as long as the Navigenio is hot

* For functions with the Audiotherm, see user manual of "AMC Audiotherm".

Residual heat indicator

Display is out: Glass-ceramic cooking zone is cooled down enough so that no more danger of burning exists. For safety reasons, this function is so performed that the indicator will possibly keep flashing even though the glass-ceramic cooking zone is already almost cold to the touch (in favourable cooling down conditions).



The residual heat indicator is active only when the Navigenio is connected to the power. If the power cord is pulled out immediately after switching off, there could be danger of burning.

2.2 Function and application

Usage as mobile hotplate

As mobile hotplate for kitchen and leisure, everywhere where an electrical connection is available.

Usage as mini baking oven (overhead function) for gratinating or baking



For gratinating, the Navigenio can be placed overhead on the pot (i.e. with the glass-ceramic cooking zone facing down). Quick, uncomplicated and energy-saving.

For baking, the Navigenio can be placed as an additional source of heat overhead on the pot on a electrical stove.

Along with the Audiotherm, possibilities of further applications for automatic cooking and baking arise:

- Usage as automatic hotplate with Audiotherm
- Usage as mini baking oven (overhead function) with Audiotherm (Timer-Automatic for gratinating and baking)

See user manual of "AMC Audiotherm".

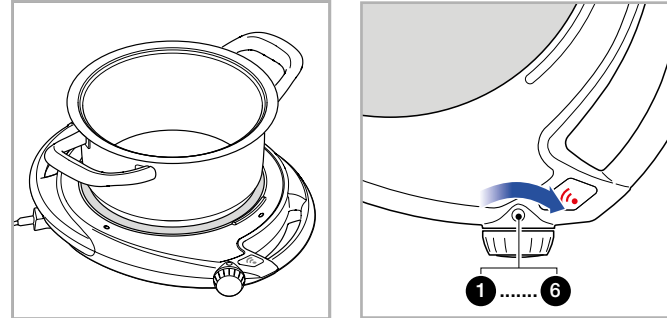
3. Handling

3.1 Usage as mobile hotplate



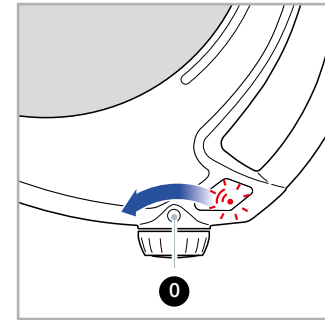
Use only suitable pots, see “suitable AMC pots” page 4.

- Connect power cord to the Navigenio and power supply.
- Set pot centred on the glass-ceramic cooking zone.
- Switch on: set rotary knob at the desired level.
 - Level 1 (lowest power) to 6 (highest power).
 - The power indicator glows red.
 - The Navigenio begins to heat immediately.



- Suitable levels according to AMC cooking methods:
 - Level 6 for heating for cooking or frying.
 - Level 2 for frying, cooking completely or frying completely, depending on size of pot and quantity of food to be cooked.
 - Also see details in the AMC cookbook or in the recipe section.
- With the rotary knob in setting “A”, you can (in connection with an Audiotherm) cook automatically, see user manual of “AMC Audiotherm”.

- Switch off: set rotary knob at “0”.
 - The residual heat indicator flashes red.

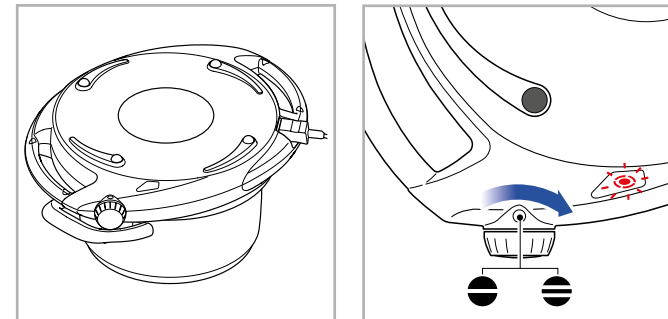


3.2 Usage as mini baking oven (overhead function) for gratinating or baking

Usage for gratinating



- Use only pots 20 and 24 cm.
- Always set pot on a heat-resistant base, like for e.g. the stove.
- Connect power cord to the Navigenio and power supply.
- Set pot centred on a heat resistant base.
- Place Navigenio on the pot.
- Switch on: set rotary knob at the desired level. Level ● (low) or ● (high).



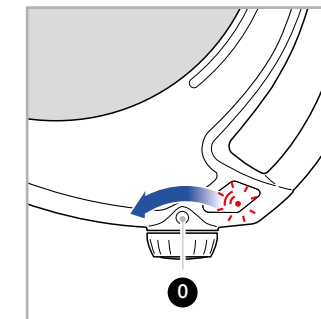
- The power indicator flashes blue and red alternately for 1 minute and glows red after that.
- The Navigenio begins to heat immediately.

You will find information on the suitable level for usage as mini baking oven in the recipe section.

- As long as the power indicator flashes blue and red alternately, the Audiotherm can be set for automatic control of the Navigenio (see user manual of “AMC Audiotherm”).
- While gratinating or baking, steam can escape.
- If the Navigenio is removed and inverted during the overhead mode, a repetitive beep is heard and the appliance no longer heats up. To switch on again in overhead mode, turn rotary knob (by at least one resting point) and set again at desired level.

- Switch off: set rotary knob at “0”.
- Remove Navigenio, invert and store.
 - The residual heat indicator flashes red.

If the Navigenio is not removed after gratinating or baking, the crust can become soaked.



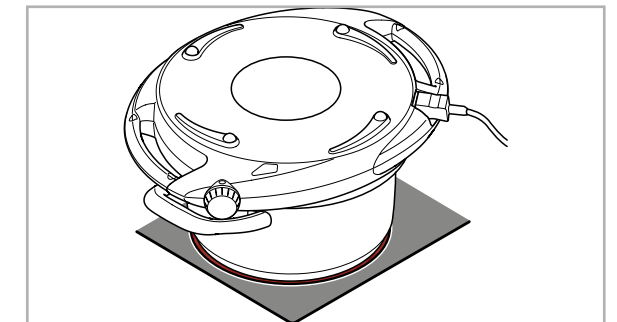
Usage for baking

For this, the Navigenio is placed on a pot on a stove.



- The power cord should not under any circumstances, come in contact with the hot stove or cooking utensil.
- To avoid damages, do not use Navigenio over an open gas stove.
- To avoid overheating, do not operate Navigenio on an empty pot.
- To avoid overheating, switch on stove only at low level.

Handling, as described above.



4. Magnet holder assembly (optional accessories)



There are 4 strong magnets in the magnet holder. These can damage TVs, laptops, computer, hard disks, credit cards and debit cards, data mediums, mechanical clocks, hearing aids and loudspeakers. Take particular care with pacemakers and implanted defibrillators. Make sure to have a distance of minimum 20 cm.

- 1 Screw
- 2 Dowel
- 3 Washer
- 4 Magnet holder
- 5 Cover plate

Assembly with gluing

The attachment point (wall) has to be clean, fat free and dry. The attachment per sticky tape is recommended for plain surfaces. For this the sticky tape on the back of the magnet holder can be used.

- A** Measure height (Lower edge of magnet holder to tabletop 10.5 cm, screw hole to tabletop 15.0 cm).
- D** Peel off sticky tape on the back and press it firmly at the wall.
- F,G,H** Place Navigenio with the stainless steel surface on the back at the magnet holder, so that Navigenio is standing on the kitchen tabletop – not free-floating! (G,H)

Assembly with screwing

The attachment point (wall) has to be clean, fat free and dry. The attachment per screw is recommended for rough or rugged surfaces (wooden or plastered walls).

- A** Measure height (Lower edge of magnet holder to tabletop 10.5 cm, screw hole to tabletop 15.0 cm).

- B** Remove cover plate
- C** Drill a hole in the wall with a drilling machine (Drilling machine diameter 5 mm) (1), insert dowel (2), peel off sticky tape on the back (D), drill magnet holder with washer (3) and screw (4) on the wall so that Navigenio is standing on the kitchen tabletop – not free-floating!(G,H)
- E** Refit cover plate

Maintain and care for the Navigenio as follows:

- Clean after every use.
- Sugar, sugar-containing and sour dishes as well as aluminium can damage the glass-ceramic surface, hence remove immediately.
- Remove burnt food particles on the glass-ceramic cooking zone with a glass-ceramic scraper.
- Clean handle and plastic parts with a moist cloth and a mild detergent. We recommend Magic Foam.
- Remove stubborn stains with Magic Stone.
- The glass-ceramic cooking zone can be re-polished with Magic Stone.
- Sand and similar dirt can cause scratches on the glass-ceramic surface and the base of the pot, hence remove immediately.
- Remove food that is boiling over immediately.

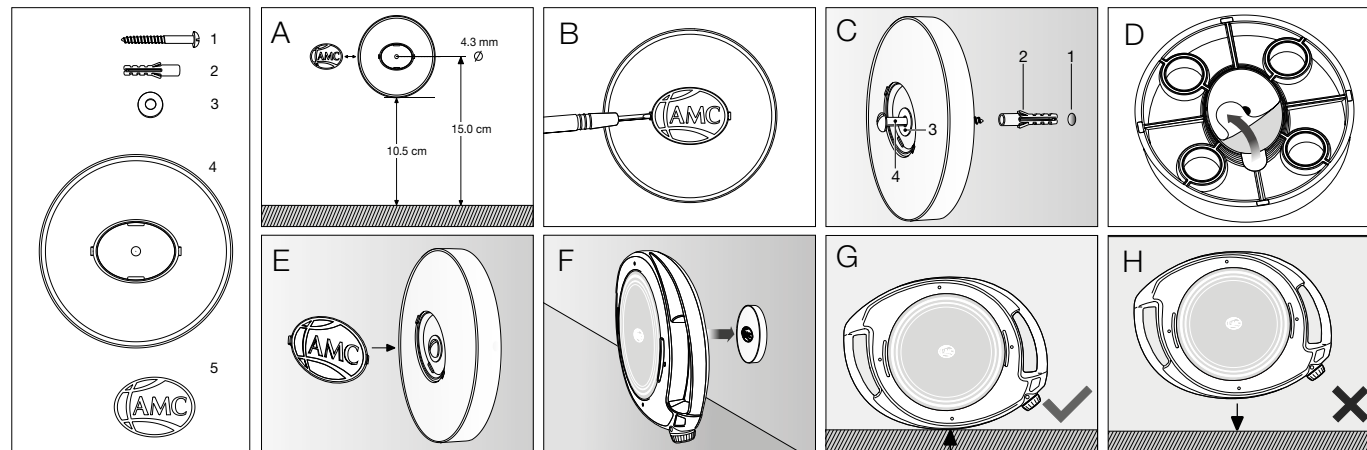
5. Maintenance and care



- Before each cleaning, pull out the power cord from the socket.
- Let the Navigenio cool down before cleaning and storing.
- Never immerse the Navigenio in water or put in dishwasher.
- Never use organic solvents or petrol.
- Likewise, the following are unsuitable for cleaning:
 - abrasive cleaning material and scouring agents in powder or liquid form
 - saponified steel wool
 - coarse abrasive side of sponges
 - hand wash pastes

6. Technical data

Model C8100
Voltage 220–240 V
Frequency 50/60 Hz
Power 1800 W
Diameter of heating circuit 18 cm
Marking



7. What to do, when...

... the Navigenio automatically shuts off a long time?



- For safety reasons, the appliance is equipped with a temperature protection switch that switches off the appliance on overheating.

Wait until the Navigenio switches on again by itself.

This can take up to 30 minutes.

... the Navigenio switches off because the radio contact with the Audiotherm* is broken (power indicator, dark)



- Set rotary knob at "0" and then again at "A".
- Initialise Audiotherm* again.

* For functions with the Audiotherm, see user manual of "AMC Audiotherm".

... the Navigenio is removed and inverted during the overhead mode and a constant, intermittent beep is heard



- The Navigenio switches off so that the appliance does not heat further when it is removed.
- When the overhead mode has ended: switch off Navigenio.
- When the overhead mode is to be continued: fit Navigenio on the pot again, turn the rotary knob (by at least one resting point) and set at the desired level again.

... the fuse is blown constantly?



- Check if the selected socket is sufficiently fused (minimum 10 Ampere).
- Disconnect other electronic appliances in the same electrical circuit.

8. AMC customer service

At AMC, customer service is a constant endeavour to meet the wishes and needs of our customers! If you have further questions or suggestions, please do contact us! We would be pleased to help you!

AMC Singapore

80 Bendemeer Rd #01-06 Singapore 339949



AMC Singapore



amcsingapore



AMC International